



GOOD
DESIGN
KOREA



DESIGN
AWARD
2022



Performance You Can Trust, Innovation You Can Feel

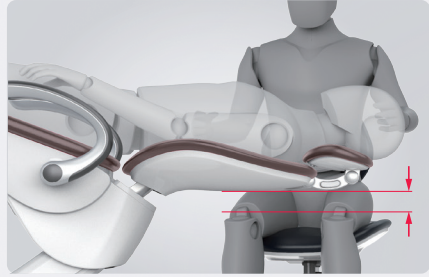
K5 Unit Chair

- Advanced technology with intuitive controls
- Integrated water sterilization for superior hygiene
- Built for daily performance and long-term reliability
- Sleek, modern design that elevates your practice

HiOSSEN
IMPLANT

Slim Backrest

- Ensures an ideal treatment position by reducing obstruction to the dentist's knee



Comfortable Seat

- Provides excellent support for both the patient and the dentist, helping to reduce strain during procedures



Two-Jointed Head Rest



- The angled headrest is designed to support children, the elderly, and patients in wheelchairs

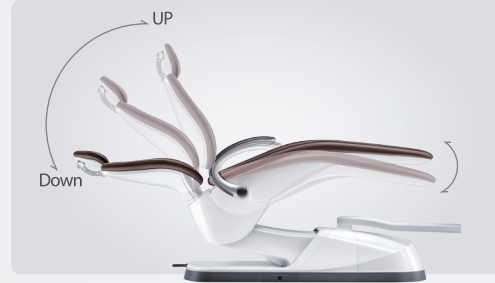
Doctor's Stool



- The backrest can be tilted to provide adjustable support for the dentist's hips during treatment
- The seat base can be tilted forward to reduce pressure on the thighs, minimizing leg fatigue

Seat Tilting Function

- Maintains a stable patient treatment position when the backrest reclines



HANARO Console

- The integrated design offers convenient storage for personal items, paper cups, and tissues, maximizing space efficiency



LED Light & Sterilization

- Blue light Cut-Off Function: Controls the resin curing time
- On/Off sensor for hands-free light control
- Autoclavable Handles



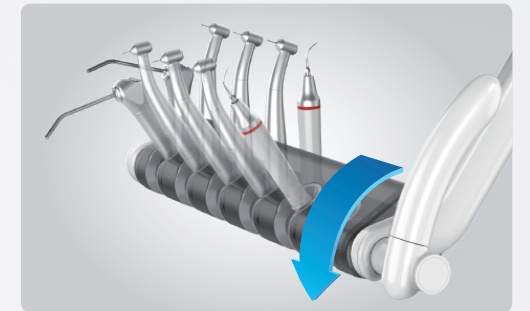
Autoclavable Doctor's Table-Handle

- Can be detached and sterilized for easy cleaning



Adjustable Hand-piece Cradle

- Protects the dentist's hand by reducing interference with the surgical instruments



Doctor's Table

- Left handed option available

Warm Water Supply System

- Provides temperature control



Built-in Water Pipe Cleaning System (Optional)

- Oxygenated water assists in effectively cleaning the water pipe



Joystick

- Multi chair position adjustment



Wireless Foot Controller

- Handpiece RPM can be easily adjusted by turning the foot pedal left or right as needed

K5 Unit Chair Instruments

	Standard Head	Mini Head	Coupling
Air Handpieces	NSK H311L	H511L	CL
	Bien Air 1601153BAA		1600902BAA
	Contra-Angle Handpiece	Straight Handpiece	
Electric Handpieces	NSK E200IL	E205IL	E400I
	Bien Air 1600384BAA	1600386BAA	1600383BAA
Scalers	COMPACT-HP		

Product Details

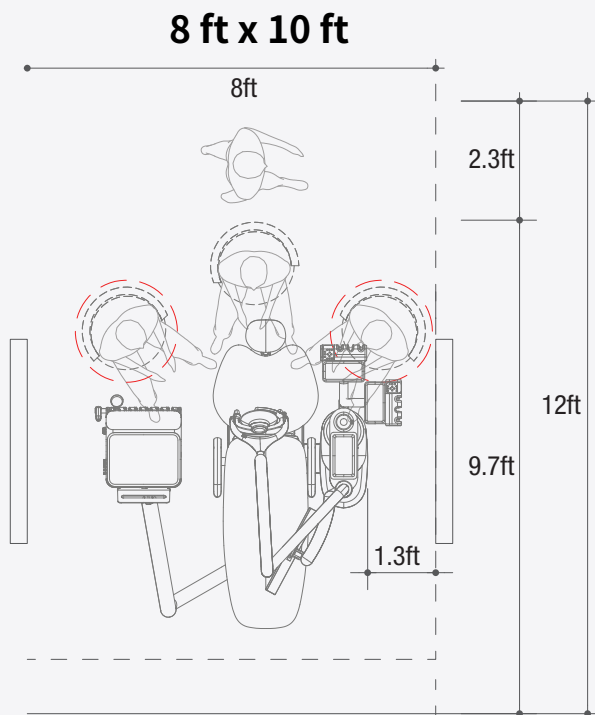
Color Options



Specifications

Power Supply Voltage	AC 110~120 V, 60 Hz
Power Consumption	1.2 KVA
Seat Elevation Method	Vibrational
Seat Height	Max. 2.8 ft, Min. 1.5 ft
Backrest Angle	Maximum angle 71°
Weight	441 lbs
Maximum Load	331 Lbs
Monittor Size	Smart 27"

Reccomended Room Dimensions



PF26K5ULTR1.0

Copyright © 2026 Hiossen Inc. All rights reserved.
105 Challenger Rd. 7th Floor, Ridgefield Park, NJ 07660
Marketing@hiossen.com | 888.678.0001 | www.hiossen.com

HIOSSEN
IMPLANT

Smiles that last a lifetime