

Wide FOV, Clear Image, and User-Friendly CBCT

T2

- Simple, Accurate and Affordable digital X-Ray Imaging system tailored for enhanced practice and patient care
- Built on advanced technology and ergonomic design, the T2 offers impeccable image quality with intuitive implant planning and consultation



HIOSSEN
IMPLANT

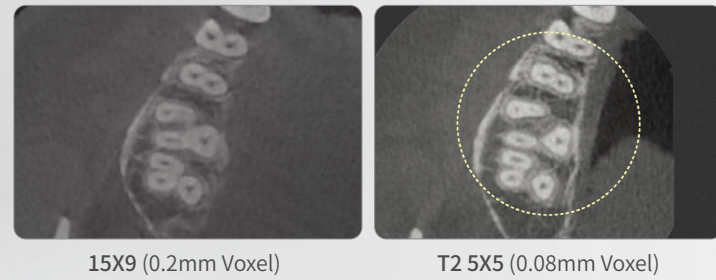
Multiple FOV for a Wide Range of Applications

The T2 shows all important anatomical structures of the skull in great detail. The cutting-edge technology of the T2 helps highlight and diagnose relevant areas.

- Available FOV: 5x5, 8x9, 10x9, 12x9, 15x9 (Standard) & 15x15 (Stitching)
- Advanced stitching technology for seamless single image facial analysis
- 5x5 FOV allows for precise imaging of the targeted region



High Resolution Voxel Size to Provide Clear Images



- High Resolution Voxel Size for Enhanced Image quality

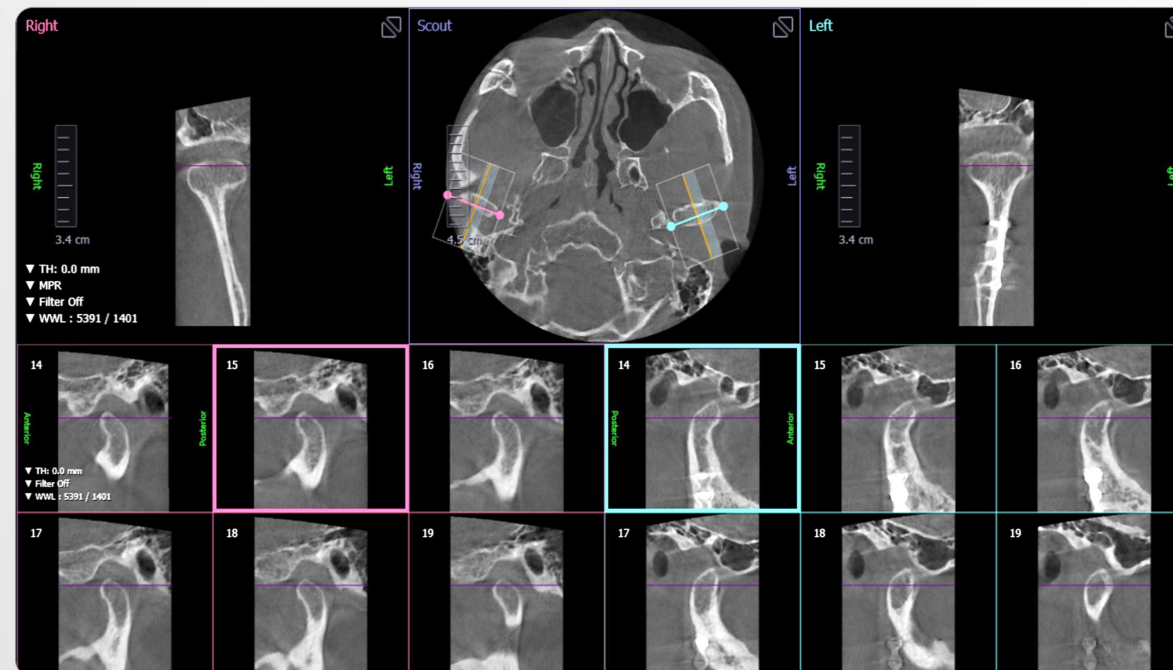
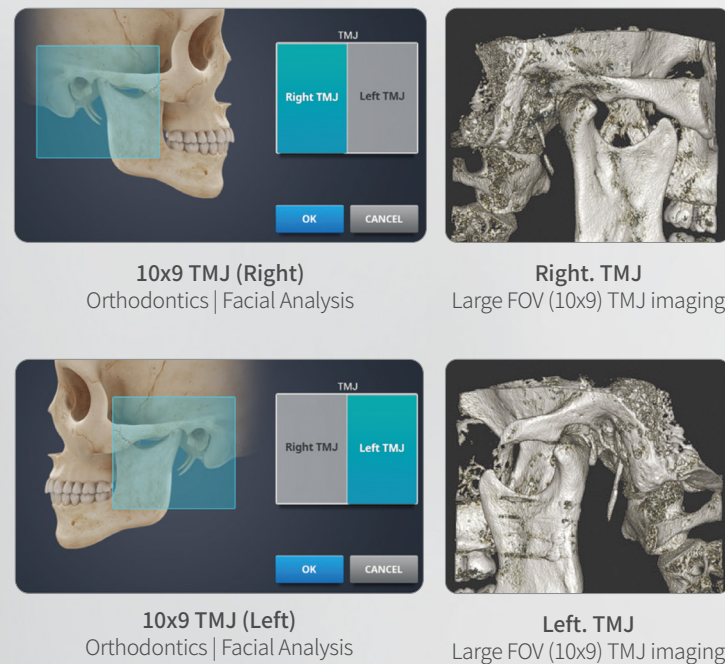
User-Friendly Operation

- LED color for simple visual identification



Simplified TMJ Imaging

- TMJ images are now even easier to manage as there is no need to change the chin rest



10x9 TMJ Diagnosing left and right TMJs



Auto Guide to Reduce Re-imaging & Improve Patient Comfort



Temple Support with Improved Radiolucency



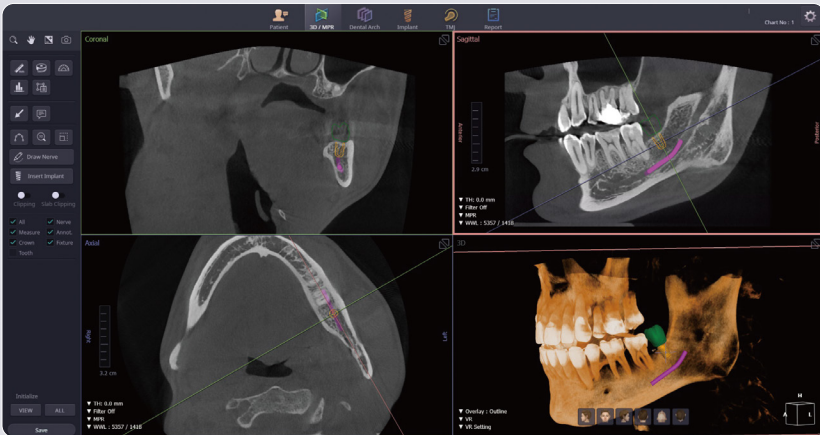
Foot Beam for Easy Patient Position Alignment



Wheelchair Accessible

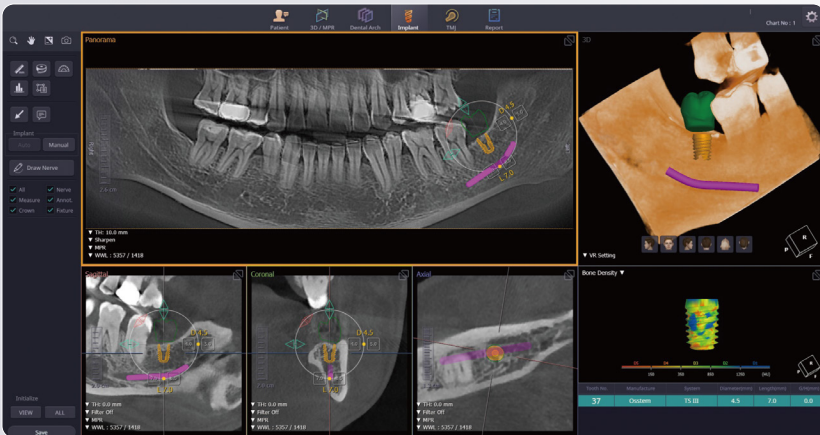
Implant Consultation

- MPR View allows for a wide range of intuitive patient consultation, from initial diagnosis to implant simulation
- 3D rendering of implants and crowns provide easy communication with patients



Implant Planning

- Accurate implant planning is possible through easy implant positioning and manipulation in any view
- Bone density diagnosis from visualized bone density guide utilizes color mapping to aid with implant placement planning



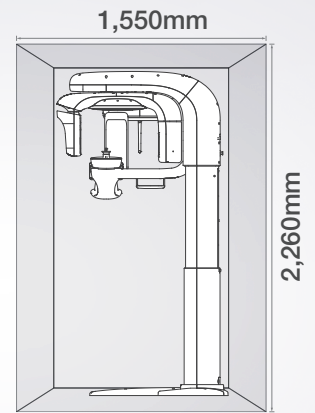
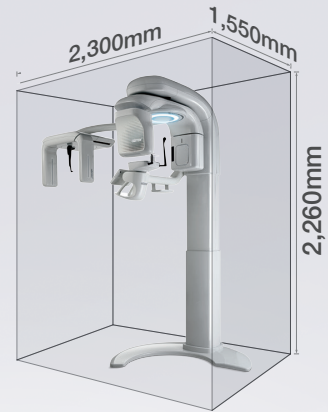
Panoramic



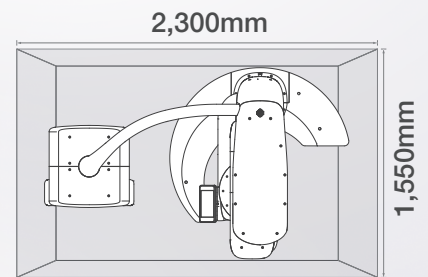
Cephalometric



Installation Size



Side View



Top View

Note: Availability may vary by state (USA).
Consult your local Sales Rep. for more info.