

Safe placement of short implants in the mandible

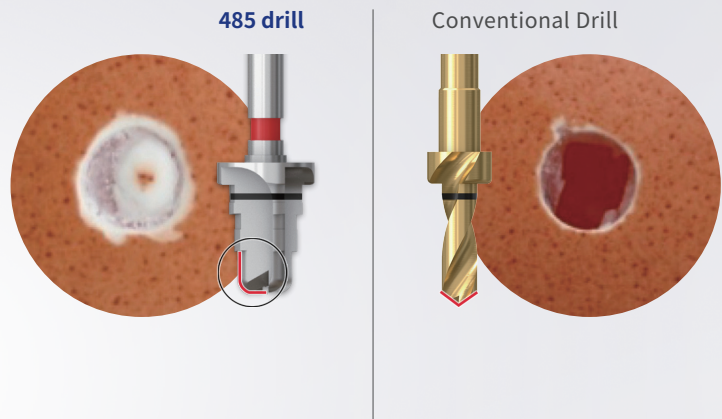
# 485 Kit

- Prevents damage to the mandibular nerve
- Safe drilling even with insufficient vertical bone height
- 3 easy and simple drilling steps

**HIOSSEN**  
IMPLANT

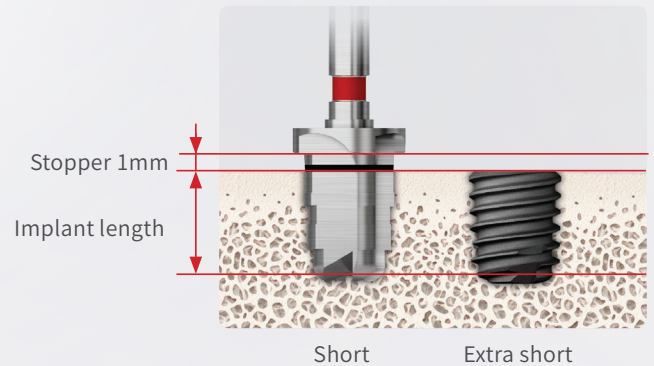
## The round shaped drill prevents damage to the mandibular nerve

- Round tip of 485 drill helps prevent damage on the inferior alveolar nerve when the mandibular alveolar ridge is insufficient



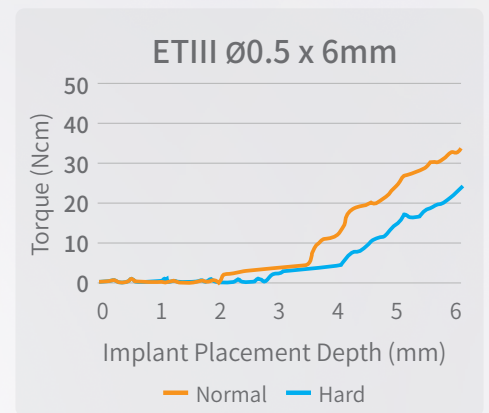
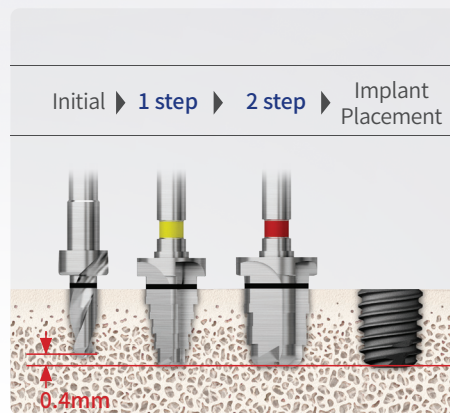
## The drill stoppers allow for safer drilling

- It is recommended to drill up to the black laser marking for depth control (Extra 1mm minimizes interference from surrounding bone)
- Nerve will not be damaged despite insufficient bone height of less than 6mm



## 3 simple and easy drilling steps (Similarly to Hiossen's 122 Drills)

- Short drilling sequence reduces chair time



## Line-up of Hiossen implant system which can be placed with the 485 Kit

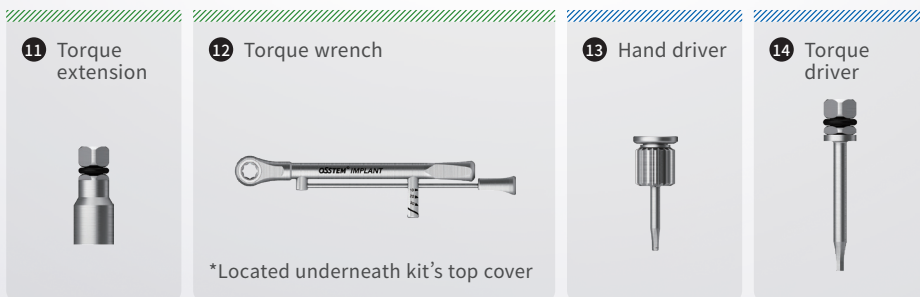
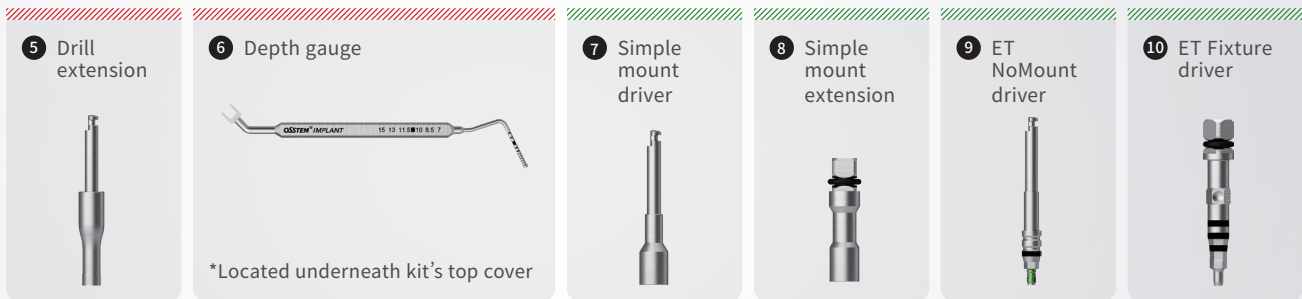
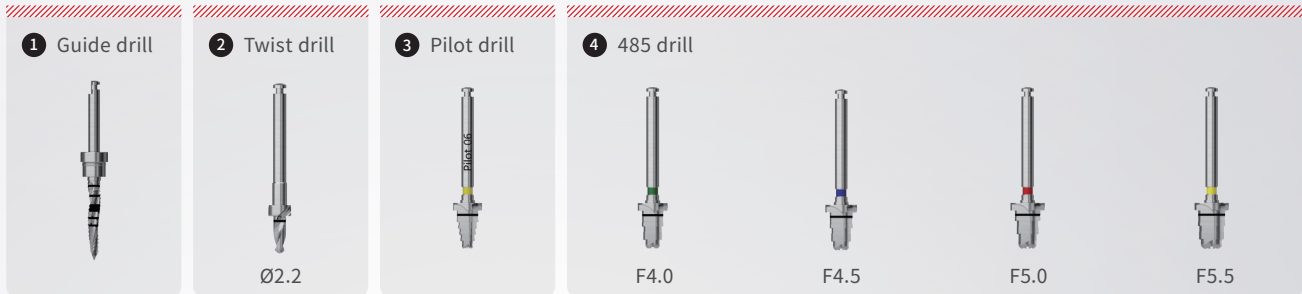
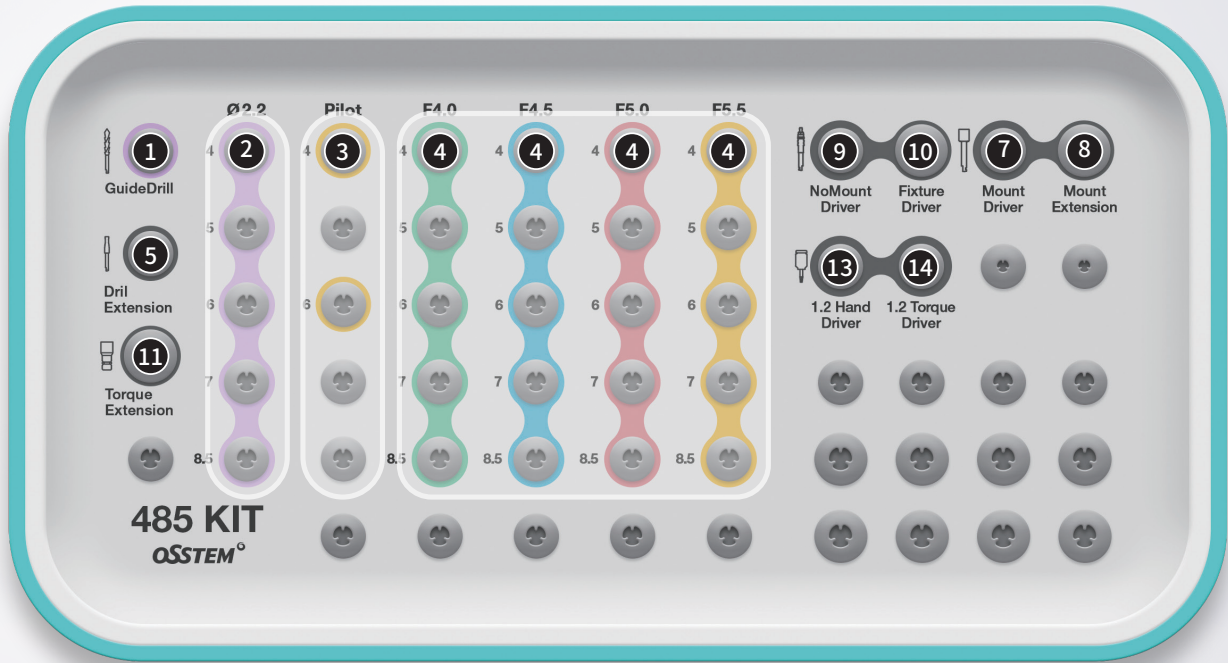
Implant System	L		6mm	7mm	8.5mm
	D				
ETIII	Ø4.0		Extra Short	Normal	Normal
	Ø4.5		Extra Short	Normal	Normal
	Ø5.0		Short	Normal	Normal
SSIII	Ø4.0		-	Normal	Normal
	Ø4.5		-	Normal	Normal
	Ø5.0		Short	Normal	Normal

# 485 Kit layout and components

Drilling Tool (1~6)

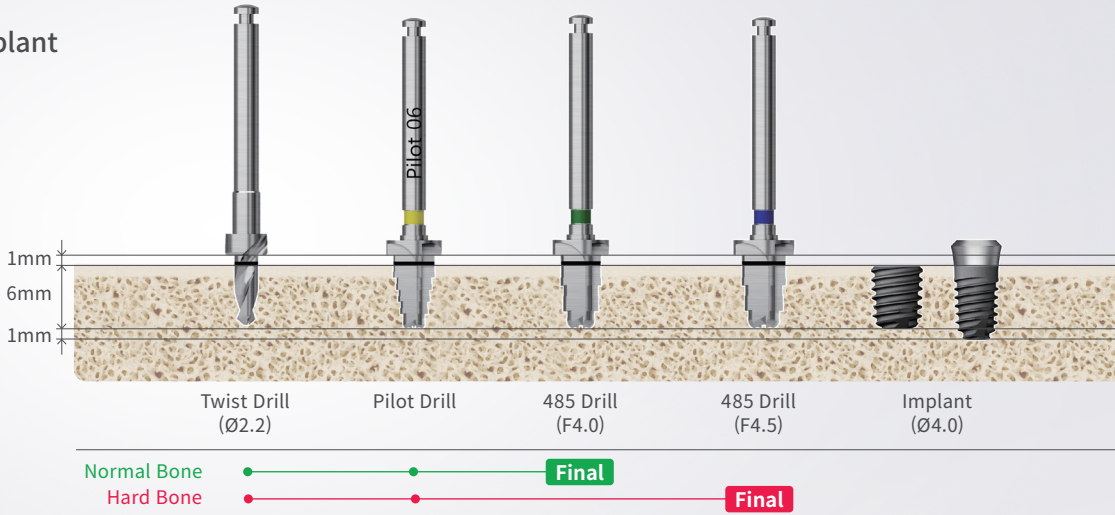
Implant Tool (7~12)

Tool (13, 14)

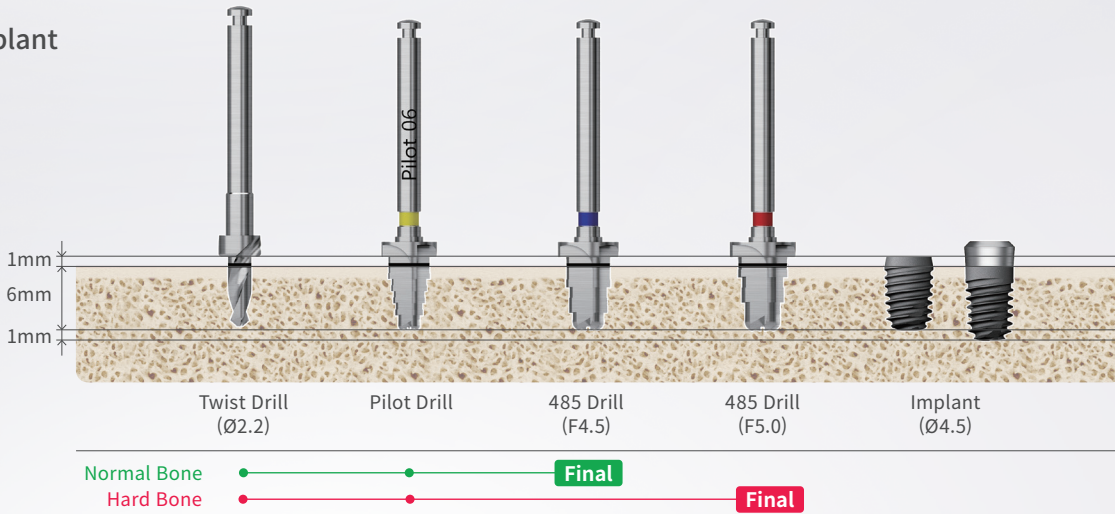


# 485 drilling sequences

## Ø4.0 Implant



## Ø4.5 Implant



## Ø5.0 Implant

