

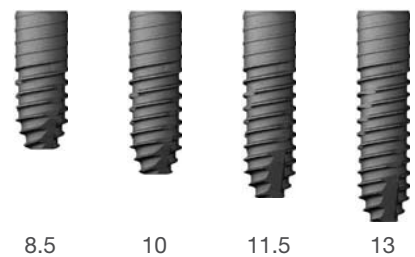


# ETIII Ø3.2 Implant

## Conventional Implant for Restrictive Spaces

ETIII 3.2 is designed for the restrictive spaces of the esthetic zone, like the lateral incisors. The 3.2 two-piece offers wider restorative options and ideal esthetic results.

**HIOSSEN**  
IMPLANT

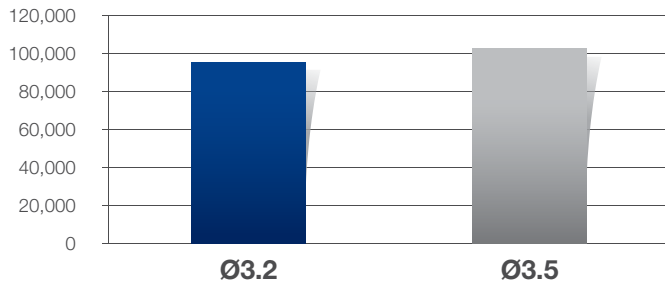


# Conventional Implant for Restrictive Spaces

## ETIII Ø3.2 Implant

### Smaller does not mean weaker

Fatigue life (cycle)



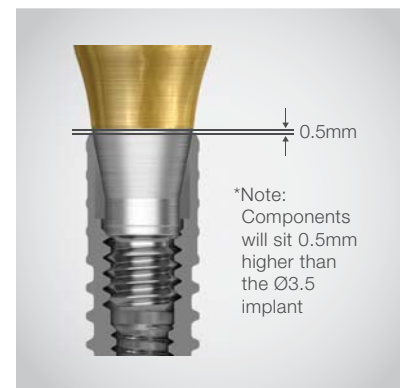
The ETIII Ø3.2 is made from a high grade Ti-alloy which is resistant to fatigue and fracture.

\*Results of a 5mm cantilever fatigue test applying a load of 350Mcm. The 3.2 withstands fatigue just as well as the 3.5.

### Compatible with ETIII Ø3.5 components, reducing stock burdens

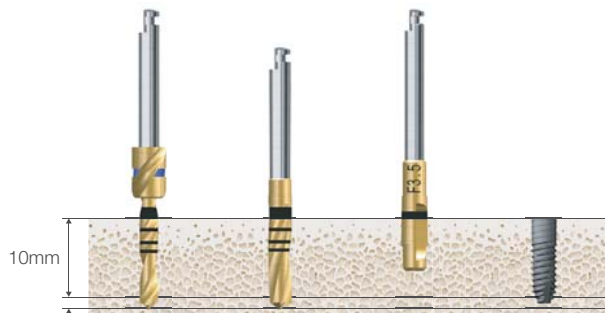


\*Ø3.5 cover screws and lab analogs are not compatible. Use only Ø3.2 specific cover screw and analogs.



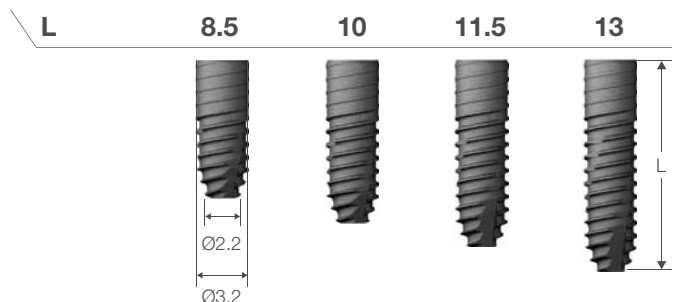
### Drilling Sequence & Spec.

#### Drilling Sequence



Bone quality	Ø 2.2 drill	Ø 2.7 drill	F3.0 cortical drill	3.2 fixture
Soft	•			
Normal	•	•		Implant placement
Hard	•	•	•	

#### Spec.



**HIOSSEN**  
IMPLANT

85 Ben Fairless Drive, Fairless Hills, PA 19030  
Tel: 888-678-0001 • www.hiossen.com